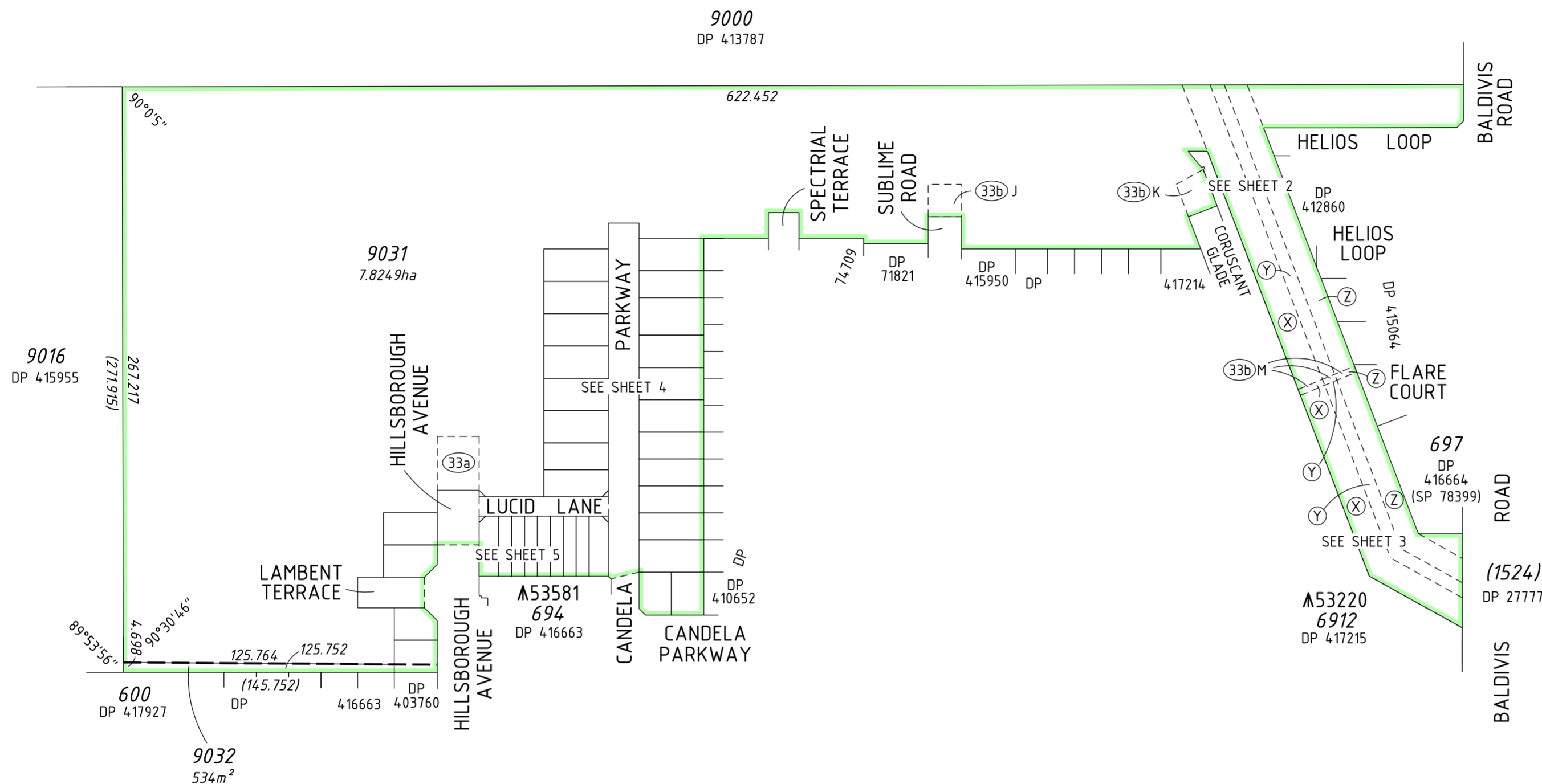


VER.	AMENDMENT	AUTHORISED BY	DATE

LIMITED IN DEPTH TO 60.96 METRES AS TO LOT 9030 ONLY

LOT	FORMER PI/TENURE	ON PLAN\DIAGRAM	TITLE
LOTS 235-247, 253-267, 397, 398, 423, 793, 794 & 9031	PT LOT 9025	DP 74709	C/T 2986/803
LOT 424	PT LOT 9025 PT LOT 9030	DP 74709 DP 420925	C/T 2986/803 C/T 4005/487
LOT 9032	PT LOT 9030	DP 420925	C/T 4005/487

TYPE	FREEHOLD	S.S.A.	YES/NO
PURPOSE	SUBDIVISION		
PLAN OF			
LOTS 235-247, 253-267, 397, 398, 423, 424, 793, 794, 9031, 9032, ROADS & EASEMENT			



FORMER TENURE	D.P.L.H. FILE
SEE TABLE ABOVE	
LOCAL AUTHORITY	CITY OF ROCKINGHAM
LOCALITY	BALDIVIS
FIELD RECORD	131385

SURVEYOR'S CERTIFICATE - REG 54
 I, LAURENCE JOHN GATTI hereby certify that this plan is accurate and is a correct representation of the -
 (a) *survey; and/or
 (b) *calculations from measurements recorded in the field records,
 [* delete if inapplicable]
 undertaken for the purposes of this plan and that it complies with the relevant written law(s) in relation to which it is lodged.

LICENSED SURVEYOR _____ DATE _____

LODGED		
DATE	FEE PAID	ASSESS No.

I.S.C.	EXAMINED	DATE
--------	----------	------

WESTERN AUSTRALIAN PLANNING COMMISSION	FILE 156448
Delegated under S.16 P&D Act 2005	DATE

IN ORDER FOR DEALINGS	
SUBJECT TO	
FOR INSPECTOR OF PLANS AND SURVEYS	DATE

APPROVED	REG 26A (4)
INSPECTOR OF PLANS AND SURVEYS/AUTHORISED LAND OFFICER	DATE

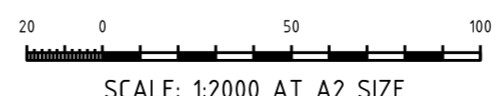
INTERESTS AND NOTIFICATIONS						
SUBJECT	PURPOSE	STATUTORY REFERENCE	ORIGIN	LAND BURDENED	BENEFIT TO	COMMENTS
(X)	EASEMENT		DOC A418918	LOT 9031	APT PARMELIA PTY LTD	SEE NOTE Z
(Y)	EASEMENT		DOC C309251	LOT 9031	ALCOA OF AUSTRALIA (W.A.) LIMITED	SEE NOTE Z
(Z)	EASEMENT		DOC H752218	LOT 9031	WATER CORPORATION	SEE NOTE Z
(33b) J (33b) K	EASEMENT (SEWERAGE)	SEC 167 OF THE P & D ACT REG 33(b)	DP 42121	LOT 9031	WATER CORPORATION	
(33b) M	EASEMENT (WATER SUPPLY)	SEC 167 OF THE P & D ACT REG 33(b)	DP 421260	LOT 9031	WATER CORPORATION	
(33a)	EASEMENT (DRAINAGE)	SEC 167 OF THE P & D ACT REG 33(a)	THIS PLAN	LOT 9031	CITY OF ROCKINGHAM	

NOTE Z: THE DIMENSIONS AND POSITION OF THIS EASEMENT ARE BASED ON ACCURATE SURVEYED ALIGNMENTS. SEE ORIGINAL DOCUMENTS

SEE SURVEY SHEET(S) FOR SURVEY INFORMATION
 SURVEY CARRIED OUT UNDER REG 26A
 SPECIAL SURVEY AREA GUIDELINES

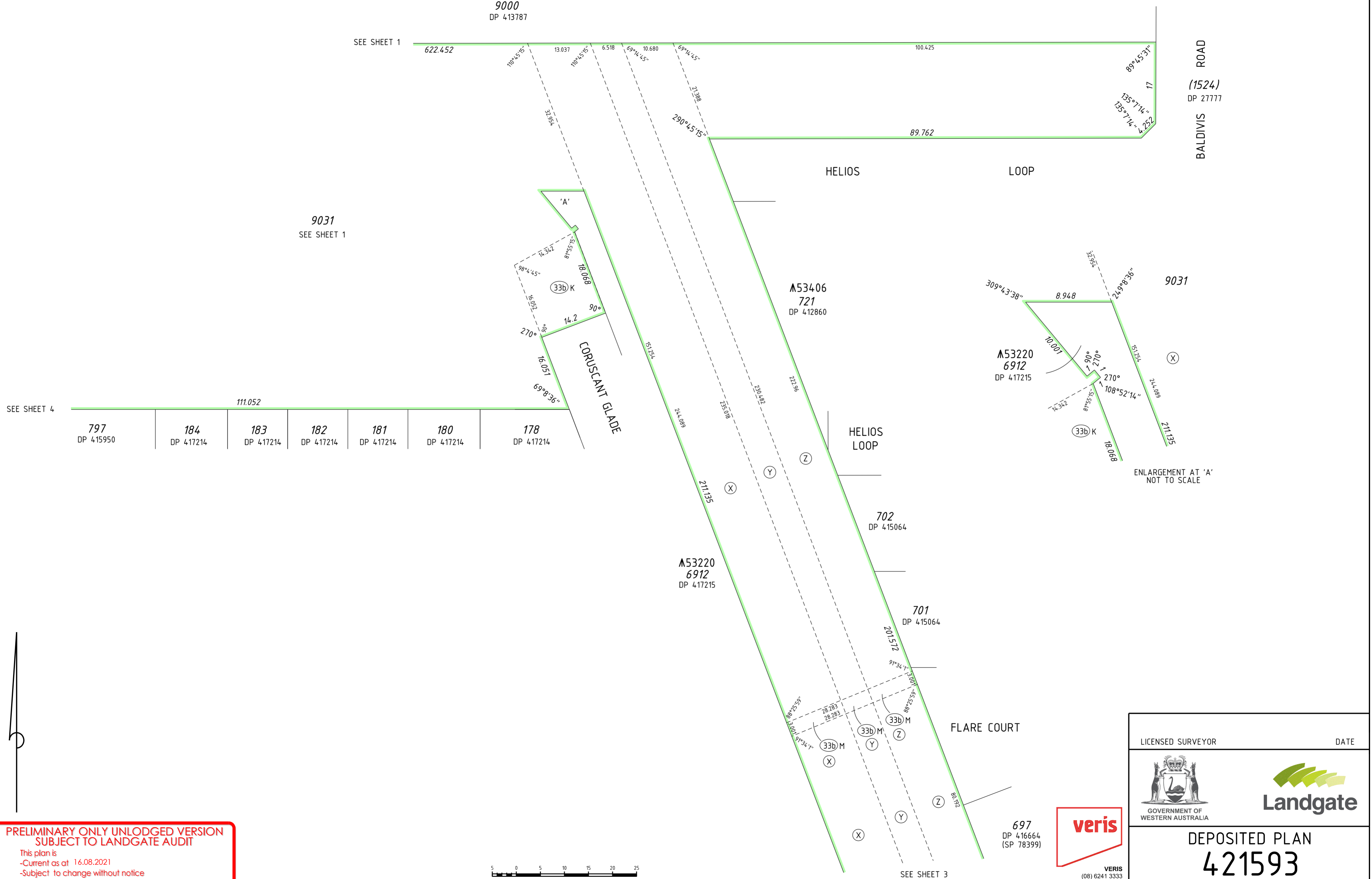
**PRELIMINARY ONLY UNLODGED VERSION
 SUBJECT TO LANDGATE AUDIT**

This plan is
 -Current as at 16.08.2021
 -Subject to change without notice
 -Not intended for design use, a LANDGATE CERTIFIED
 CORRECT copy should be obtained for such purposes.



DEPOSITED PLAN
421593
 SHEET 1 OF 5 SHEETS - VERSION 1
 (PLUS SURVEY SHEETS)

FOR HEADING SEE SHEET 1
 FOR INTERESTS AND NOTIFICATIONS SEE SHEET 1
 LIMITED IN DEPTH TO 60.96 METRES AS TO LOT 9030 ONLY



**PRELIMINARY ONLY UNLODGED VERSION
 SUBJECT TO LANDGATE AUDIT**
 This plan is
 -Current as at 16.08.2021
 -Subject to change without notice
 -Not intended for design use, a **LANDGATE CERTIFIED**
CORRECT copy should be obtained for such purposes.

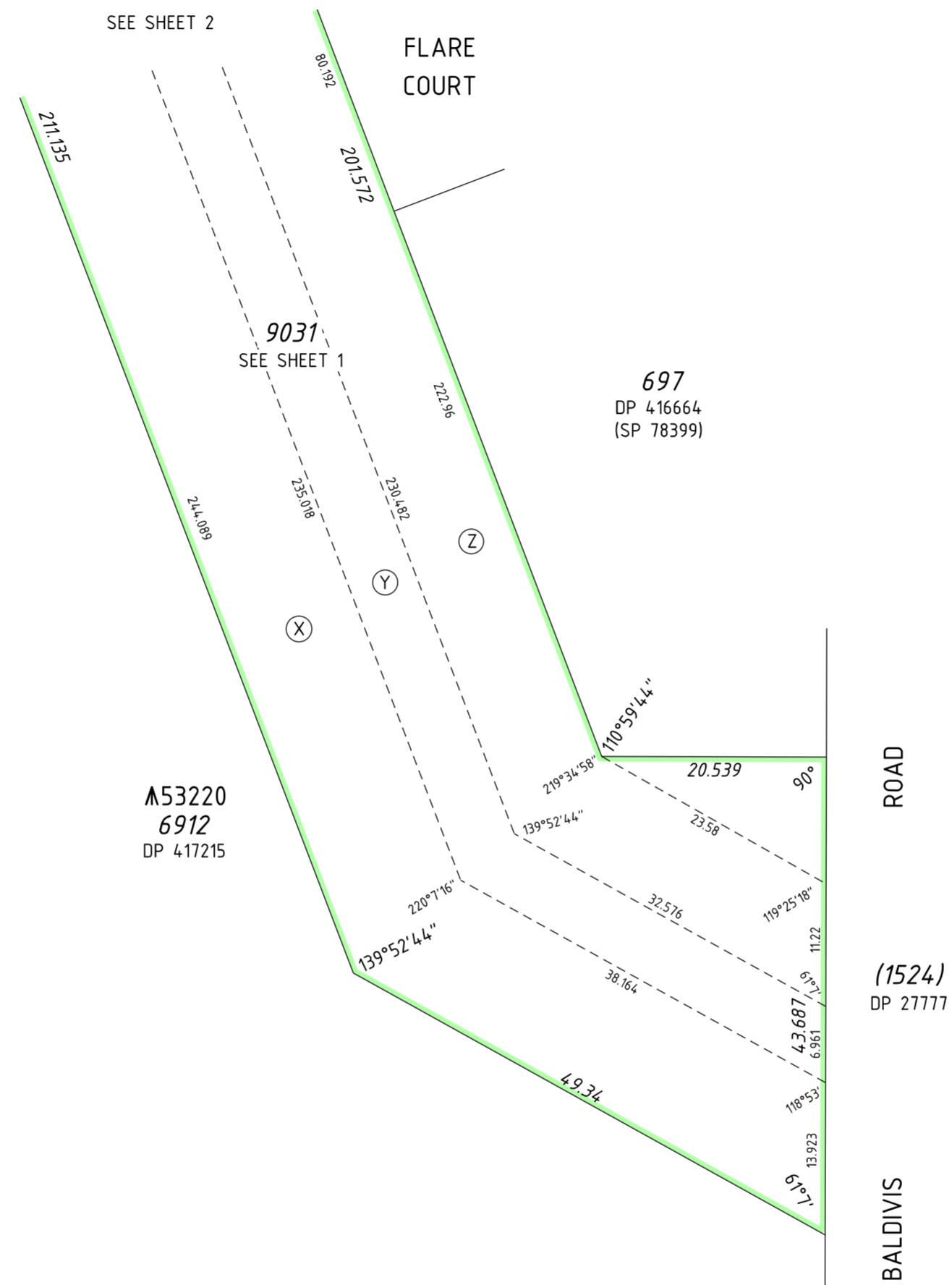
SCALE: 1:500 AT A2 SIZE
 HELD BY LANDGATE IN DIGITAL FORMAT ONLY



LICENSED SURVEYOR	DATE
 GOVERNMENT OF WESTERN AUSTRALIA	
DEPOSITED PLAN 421593 SHEET 2 OF 5 SHEETS - VERSION 1 (PLUS SURVEY SHEETS)	

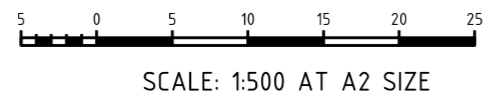
dp421593-5007-11606dp221sheet 21.dgn
 FP-11606-083-VER 1.0

FOR HEADING SEE SHEET 1
 FOR INTERESTS AND NOTIFICATIONS SEE SHEET 1
 LIMITED IN DEPTH TO 60.96 METRES AS TO LOT 9030 ONLY



**PRELIMINARY ONLY UNLODGED VERSION
 SUBJECT TO LANDGATE AUDIT**

This plan is
 -Current as at 16.08.2021
 -Subject to change without notice
 -Not intended for design use. a **LANDGATE CERTIFIED**
CORRECT copy should be obtained for such purposes.



HELD BY LANDGATE IN DIGITAL FORMAT ONLY

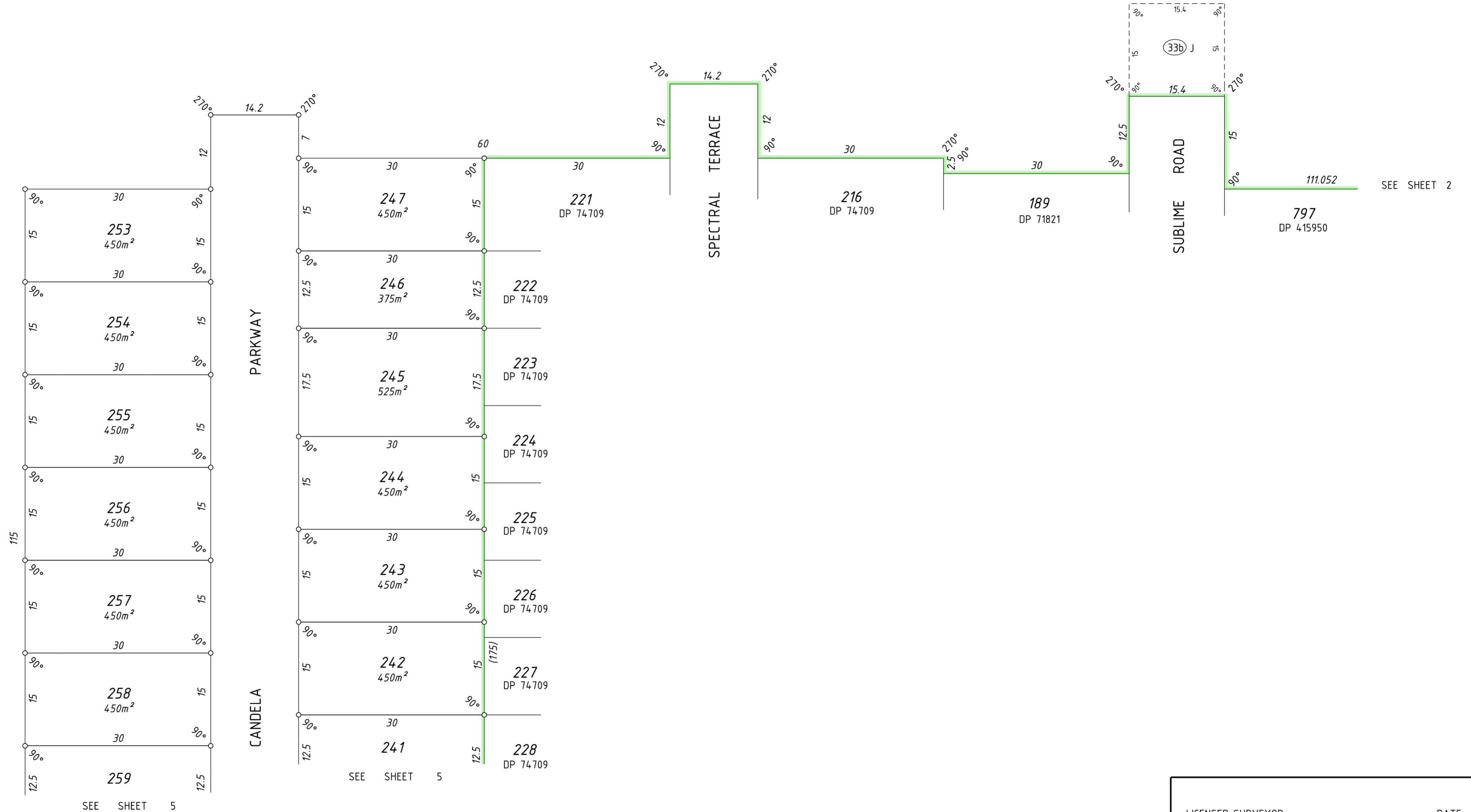


VERIS
 (08) 6241 3333
 www.veris.com.au
 dp421593-5007-11606:dp22(sheet 3).dgn
 FP-11606-083-VER 1.0

LICENSED SURVEYOR	DATE
DEPOSITED PLAN 421593 SHEET 3 OF 5 SHEETS - VERSION 1 (PLUS SURVEY SHEETS)	

FOR HEADING SEE SHEET 1
 FOR INTERESTS AND NOTIFICATIONS SEE SHEET 1
 LIMITED IN DEPTH TO 60.96 METRES AS TO LOT 9030 ONLY

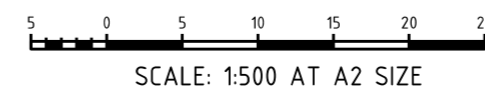
9031
 SEE SHEET 1



**PRELIMINARY ONLY UNLODGED VERSION
 SUBJECT TO LANDGATE AUDIT**

This plan is
 -Current as at 16.08.2021
 -Subject to change without notice
 -Not intended for design use, a **LANDGATE CERTIFIED**
CORRECT copy should be obtained for such purposes.

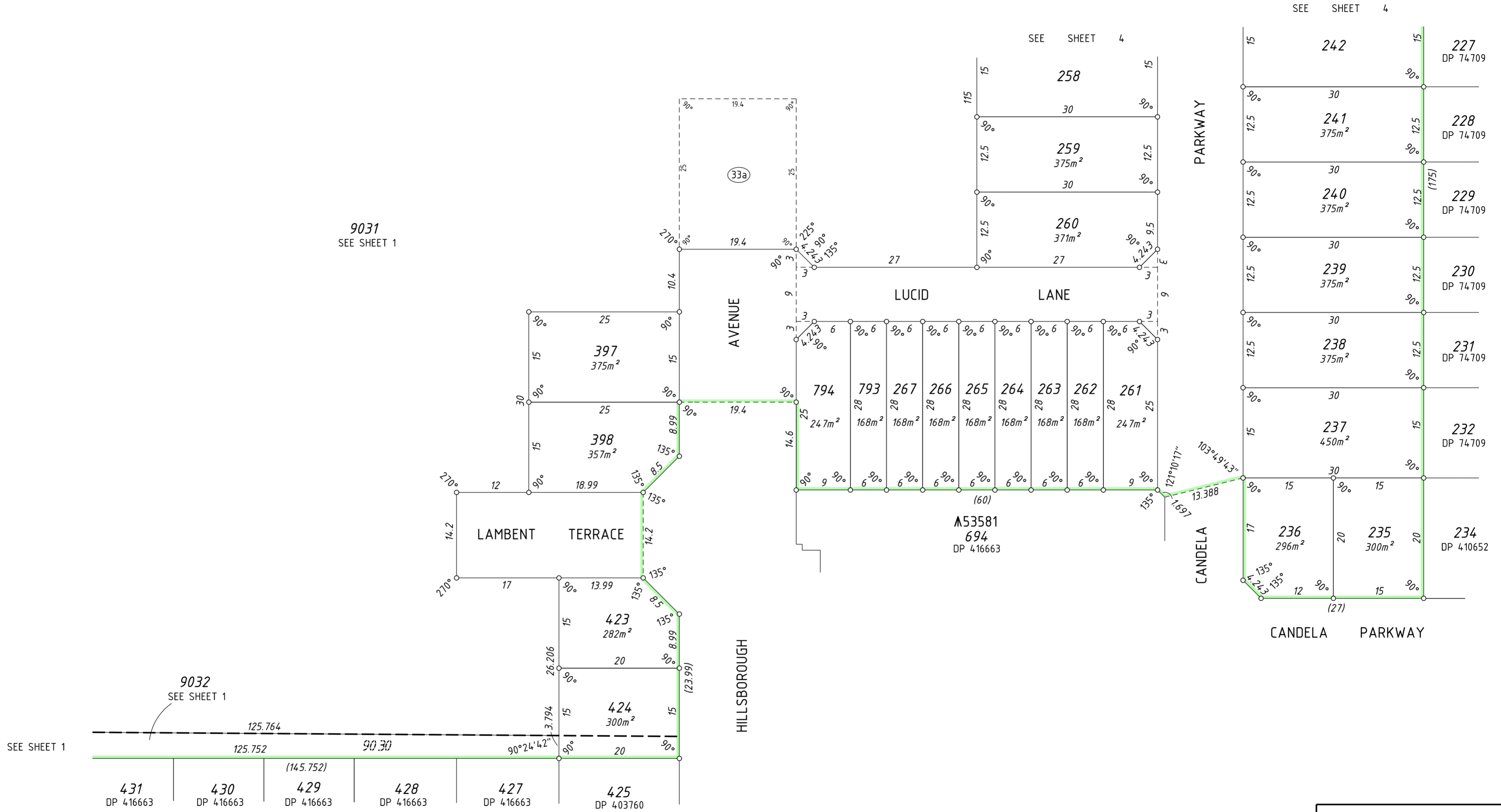
HELD BY LANDGATE IN DIGITAL FORMAT ONLY



VERIS
 (08) 6241 3333
 www.veris.com.au
 dp421593-S007-11606dp22(sheet 4).dgn
 FP-11606-083-VER 1.0

LICENSED SURVEYOR	DATE
DEPOSITED PLAN 421593 SHEET 4 OF 5 SHEETS - VERSION 1 (PLUS SURVEY SHEETS)	

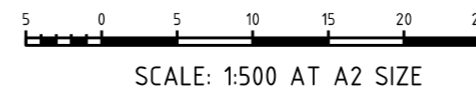
FOR HEADING SEE SHEET 1
 FOR INTERESTS AND NOTIFICATIONS SEE SHEET 1
 LIMITED IN DEPTH TO 60.96 METRES AS TO LOT 9030 ONLY



**PRELIMINARY ONLY UNLODGED VERSION
 SUBJECT TO LANDGATE AUDIT**

This plan is
 -Current as at 16.08.2021
 -Subject to change without notice
 -Not intended for design use, a **LANDGATE CERTIFIED**
CORRECT copy should be obtained for such purposes.

HELD BY LANDGATE IN DIGITAL FORMAT ONLY



veris

VERIS
 (08) 6241 3333
 www.veris.com.au

dp421593-S007-11606dp22(sheet 5).dgn
 FP-11606-083-VER 1.0

LICENSED SURVEYOR	DATE
DEPOSITED PLAN 421593 SHEET 5 OF 5 SHEETS - VERSION 1 (PLUS SURVEY SHEETS)	